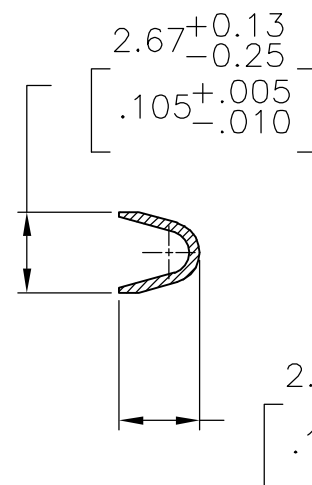
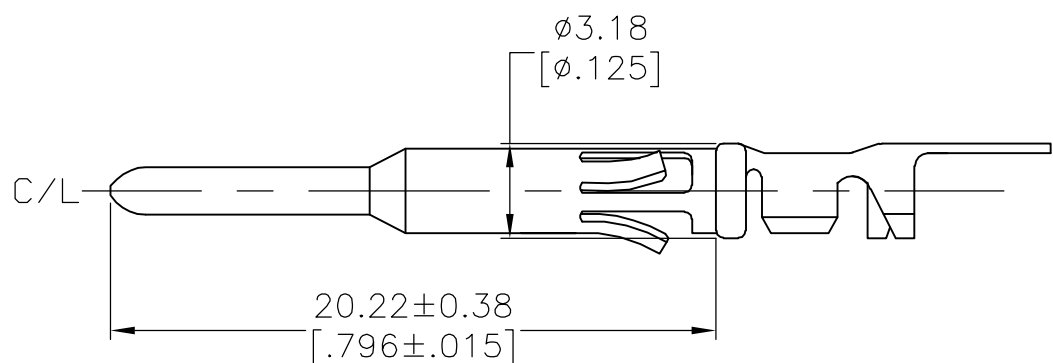
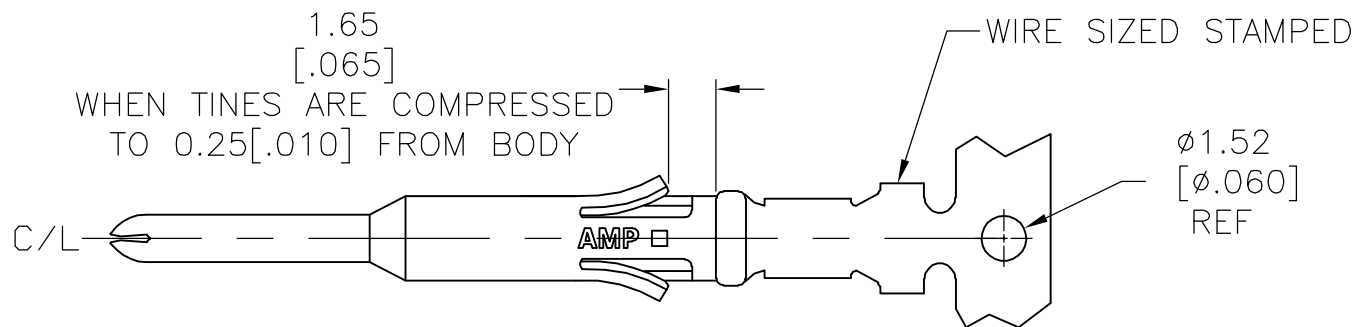
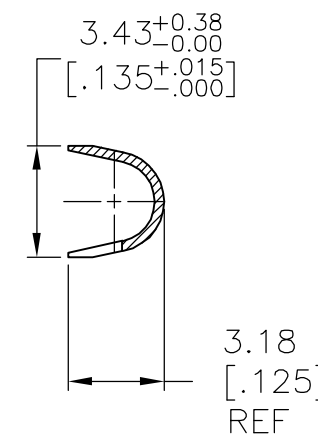


THIS DRAWING IS UNPUBLISHED. RELEASED FOR PUBLICATION
 © COPYRIGHT BY TYCO ELECTRONICS CORPORATION. ALL RIGHTS RESERVED.

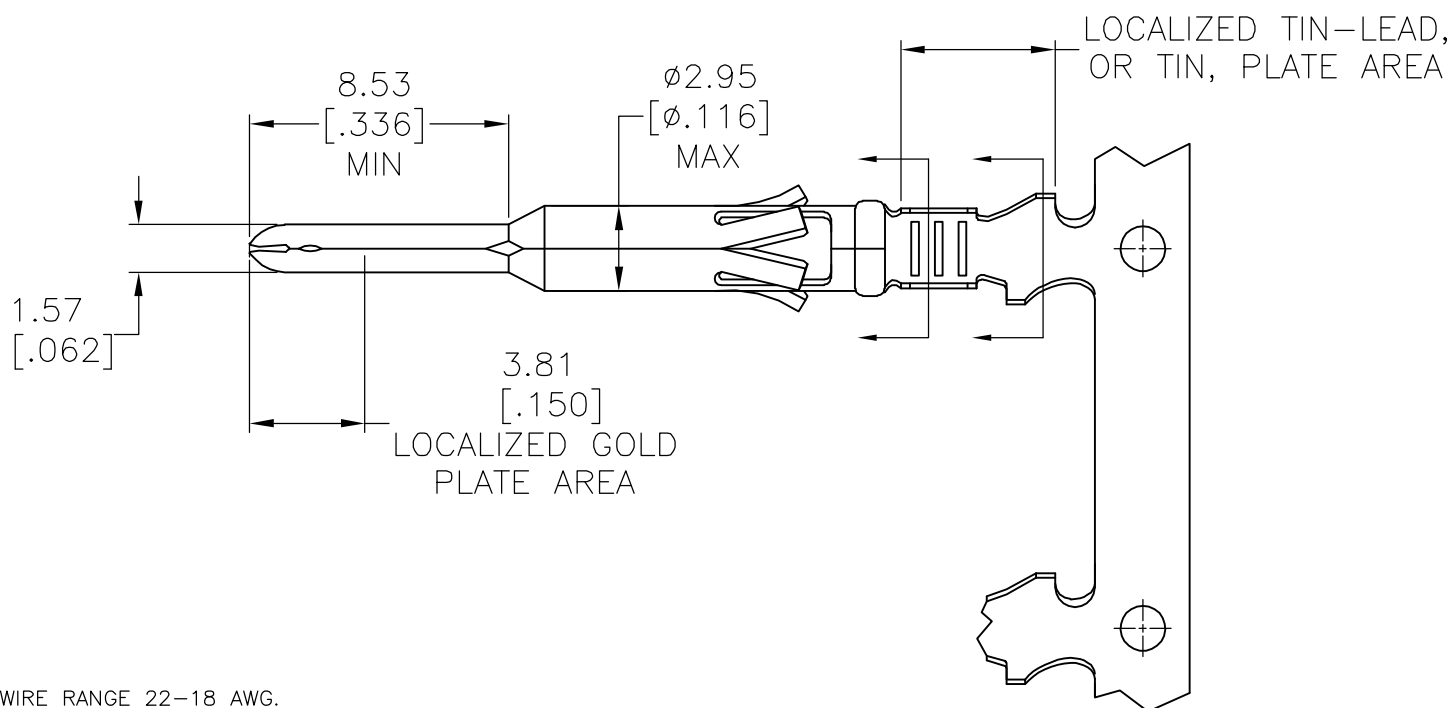
LOC	DIST	REVISIONS			
P	LTR	DESCRIPTION	DATE	DWN	APVD
FT	0	F1	REV PER ECO-05-13552	11/16/05	SS GS



SECTION B-B



SECTION A-A



1. WIRE RANGE 22-18 AWG.
 2. INSULATION RANGE 1.27-2.79 [.050-.110] DIA.
 3. FOR LOOSE PIECE PART SEE DWG 66591.
- ⚠ 0.76µm [.000030] MIN GOLD IN LOCALIZED GOLD PLATE AREA, 1.27µm [.000050] MIN TIN-LEAD IN LOCALIZED TIN-LEAD PLATE AREA, BOTH OVER 1.27µm [.000050] MIN NICKEL.
 - ⚠ TIN PLATED.
 - ⚠ GOLD PLATING PER MIL-G-45204, TIN PER MIL-T-10727 AND NICKEL PER QQ-N-290.
 - ⚠ 0.76µm [.000030] MIN GOLD IN LOCALIZED GOLD PLATE AREA, 1.27µm [.000050] MIN TIN IN LOCALIZED TIN PLATE AREA, BOTH OVER 1.27µm [.000050] MIN NICKEL.

OBSOLETE	REVERSE REELED FOR MINI-APPLICATOR	⚠	66581-7
	REVERSE REELED FOR MINI-APPLICATOR	⚠	66581-4
	-	⚠	66581-3
	REVERSE REELED FOR MINI-APPLICATOR	⚠	66581-2
	-	⚠	66581-1
	DESCRIPTION	FINISH	PART NUMBER

THIS DRAWING IS A CONTROLLED DOCUMENT.		DWN V. FURLER 15MAY2003	Tyco Electronics Corporation Harrisburg, PA 17105-3608			
DIMENSIONS: mm [INCHES]	TOLERANCES UNLESS OTHERWISE SPECIFIED:	CHK G. STEINHAUER 16MAY03			APVD G. STEINHAUER 16MAY03	
	0 PLC ± -	NAME CONTACT, PIN, STRIP, TYPE VI, MULTIMATE				
	1 PLC ± -					
MATERIAL BRASS MIL-C-50	2 PLC ± 0.13 [.005]	PRODUCT SPEC -	SIZE A3	CAGE CODE 00779	DRAWING NO C-66581	RESTRICTED TO -
	3 PLC ± -	APPLICATION SPEC -	CUSTOMER DRAWING		SCALE NTS	SHEET 1 OF 1
	4 PLC ± -	WEIGHT -				
	ANGLES ± -					
	FINISH SEE TABLE ⚠					